

CIMON-XPANEL SPECIFICATION

PRODUCT SPECIFICATION

Xpanel comes in sizes that are suitable for small to large scale facilities. Also, proven reliability and performance ensure that maximum value is provided in every industrial environment.



Item	Specifications
General Voltage	DC 24 V or AC 100-240 V
Operating Temperature	-10–60°C
Non-operating Temperature	-25–70°C
Operating Humidity	10–85% RH (below 29° C, no condensation)
Non-operating Humidity	10–85% RH (below 39° C, no condensation)
Environmental Condition	800–1114 hPa (below 2000 m)
Dust	≥ 0.1 mg/m ³
Pollution Degree	Pollution degree 2
Air Condition	Avoid corrosive gas and excessive dust
Vibration Resistance	SSD storage type 9.8 m/s ² , 10–25 Hz in X, Y, Z (80 min)
Noise Immunity (Impulse Noise)	Impulse, EFT/Burst, Surge, ±2 kV, 1 uS
Electrostatic Discharge Immunity	4 kV (IEC61000-4-2 level 3), 8 kV (Air discharge)

CIMON-XPANEL SPECIFICATIONS

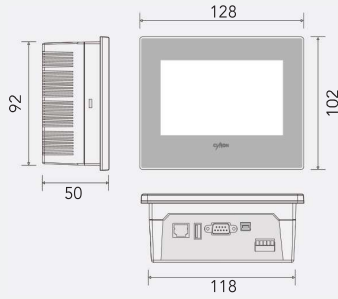
PRODUCT SPECIFICATIONS

Type	XT04CD-DE	XT07CD-DE	iXT10CD-D	iXT12CD-A	iXT15CD-A
Panel Size	4.3"	7"	10.4"	12.1"	15"
Resolution	480 x 272	800 x 480	800 x 600		1024 x 768
LCD	Color TFT				
Color	65k colors		262k colors		16.7M colors
Luminance	400 cd/m ²	400 cd/m ²	700 cd/m ²	800 cd/m ²	350 cd/m ²
LCD Lifetime	20,000 hrs		100,000 hrs		70,000 hrs
Memory	128 MB DDR2 SDRAM		512 MB DDR2 SDRAM		
Storage	128 MB SLC NAND Flash				
Operating System	Windows CE 6.0		Windows Embedded Compact 7		
Programming Tool (HMI)	XpanelDesigner				
Audio	None	1 Port	None		
Interface	Ethernet	10/100BASE-T			
	Serial (COM1)	RS-232C		RS-422/485	
	Serial (COM2)	RS-422/485		RS-232C	
	Serial (COM3)	None		RS-232C	
	USB Host	1 Port			
	Tool Port	1 Port			
	SD Card Slot	None	1 Slot		
Input Power	DC 24 V	DC 24 V	DC 24 V	AC 100-240 V	
Dimension (mm)	128 X 102 X 50	185 X 127 X 50	280 X 220 X 47	330 X 250 X 83	395 X 310 X 89
Panel Cut (mm)	120 X 94	177 X 119	267 X 207	319 X 239	382 X 297
Enclosure	Plastic		Aluminum		
Power Consumption	4 W	6 W	9 W	10 W	15 W
Item Weight	0.45 kg (0.99 lbs)	0.78 kg (1.72 lbs)	2.47 kg (5.45 lbs)	3.2 kg (7.06 lbs)	4.5 kg (9.92 lbs)

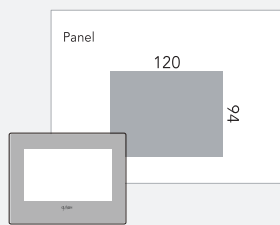
Dimensions of CIMON-XPANEL

Unit : mm

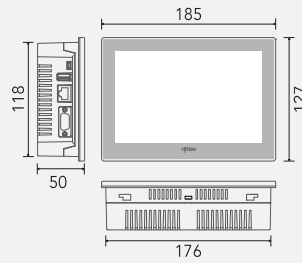
▶ XT04CD



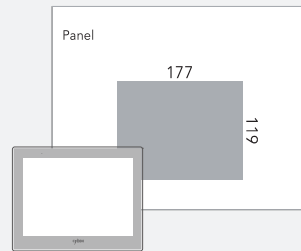
Panel cut



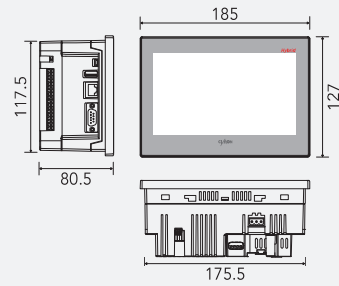
▶ XT07CD



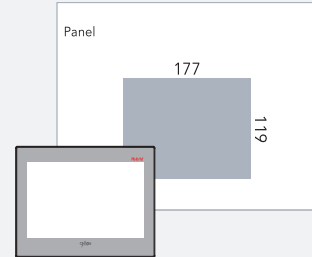
Panel cut



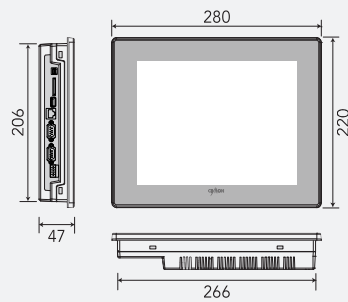
▶ HP07CD



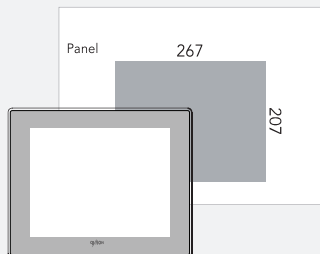
Panel cut



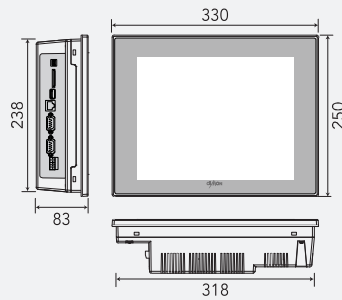
▶ iXT10CD



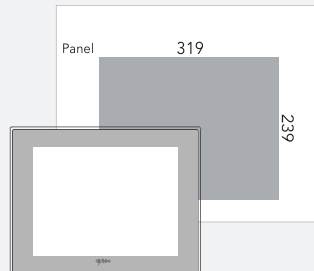
Panel cut



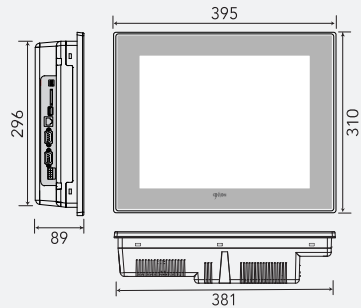
▶ iXT12CD



Panel cut



▶ iXT15CD



Panel cut

